

## IMPORTANT SAFEGUARDS

When using electrical equipment, basic safety precautions should always be followed including the following:

### READ AND FOLLOW ALL SAFETY INSTRUCTIONS:

#### NOT SELF TESTING PER ANSI/NFPA 101

- Do not use outdoors.
- Do not let power supply cords touch hot surfaces.
- Do not mount near gas or electric heaters.
- Equipment should be mounted securely in locations and at heights where it will not be readily subjected to tampering by unauthorized personnel.
- The use of accessory equipment and replacement parts not recommended by the MANUFACTURER may cause an unsafe condition.
- Do not use this equipment for other than its intended purpose.
- The AC voltage rating of this equipment is specified on the product label. Do not connect equipment to any other voltage.

### SAVE THESE INSTRUCTIONS

#### IMPORTANT:

*Fluorescent models utilize mercury containing lamps.*

*Do not discard fluorescent lamps in normal trash.*

*Manage in accord with Disposal Laws.*

See: [www.lamprecycle.org](http://www.lamprecycle.org)

### INSTALLATION

1. Extend an unswitched, 24 hour AC supply of rated voltage to the area in which the unit will be installed.  
**DO NOT energize the circuit at this time.**
  2. Remove the tamper proof screws retaining the diffuser lens to the housing and lift lens off of the unit.
  3. Remove any packing material inside the unit housing that may have been used for shipping purposes.
  4. Remove the four nuts securing the electronics plate and lift the plate out of the housing.
  5. Remove the desired housing knockout and attach utility power input to the housing using an approved connector (installer supplied).
  6. Secure housing to the ceiling or wall mounting surface through the four mounting holes in the housing using hardware (installer supplied) sized appropriately to hold the unit weight (see **SPECIFICATIONS** on back of sheet).
  7. Re-install the electrical plate into the housing using the four retaining nuts.
  8. Wire unit as follows: All standard models are furnished with a dual voltage 120/277VAC field selectable input. Connect unit to utility power using approved wiring or connector (see Wiring Diagram on back of sheet). For 120V supply connect the utility hot wire to the black lead, for 277V supply, connect the utility hot wire to the orange lead. Connect neutral utility wire to the white lead. Connect green chassis ground wire provided in accordance with local codes. **DO NOT energize circuit at this time.**
- CAUTION:** Insulate the unused black or orange transformer lead. Failure to insulate the unused wire will cause an unsafe condition.
- Note:** (1) A brown lead is used in place of black and orange leads on special models with voltages from 200V to 250 V.  
(2) if a cord is to be installed, follow separate cord set installation instructions.
9. Attach battery connection leads from the PC board assembly to the battery terminals (refer to wiring diagram on back of sheet). Connect the red lead from the PC board assembly to the positive (+) battery terminal. Connect the blue lead from the PC board assembly to the negative (-) battery terminal.
- CAUTION:** Observe polarity. Failure to connect the battery properly will result in equipment failure and an unsafe condition.
- NOTE:** The emergency lamps **WILL NOT** illuminate at this time.
10. Re-install the diffuser lens onto the housing using the tamperproof screws.
  11. Energize the AC supply. The **CHARGE** indicator will illuminate.

### OPERATION

1. **NOTE:** VR Series units are supplied with the test switch mounted behind a 1/8" access hole in the lens. To test the unit, depress the test switch using a paper clip or fine blade screwdriver inserted through the access hole. The **CHARGE** indicator will extinguish and the emergency lamps will illuminate.
  2. Release the test switch. The emergency lamps will extinguish and the **CHARGE** indicator will illuminate.
  3. Remove the light source from the light sensor. The emergency lamps will extinguish and the **CHARGE** indicator will illuminate.
  4. The charger circuit will automatically activate and return the battery in a fully charged state.
- NOTE:** Allow the battery to charge for a minimum of 24 hours after installation or after a power failure before conducting a 90-minute test (see **TESTING**). **CAUTION:** This equipment is furnished with a sophisticated transfer switch that will automatically disconnect the emergency lamps from the battery if;
- 1) the battery has been discharged to its low voltage limit
  - 2) The output circuit is overloaded or experiences a short circuit condition

## MAINTENANCE

**CAUTION:** Always turn off AC power to the equipment before attempting any service procedure. Servicing should be performed only by a qualified technician. Use only **MANUFACTURER** supplied or **RECOMMENDED** replacement parts.

- BATTERY:** The battery supplied in this equipment requires no maintenance. However, it should be tested periodically (see **TESTING**) and replaced when it no longer operates the connected lamps for the full duration of a 90 minute test. The battery supplied in this equipment will provide its full rated life expectancy when used in a temperature range of 68 to 86°F (20 to 30°C).
- OTHER:** Clean diffuser lens and replace lamps, as required.

## TESTING

- Allow the battery to charge for 24 hours prior to performing any test. After the charging cycle, test emergency operation. To test the unit, break utility feed or depress the test switch. The **CHARGE** indicator will extinguish and the emergency lamp(s) will illuminate.
- Following the return of utility power or the release of the test switch, the emergency lamps will extinguish and the unit charger will automatically return the battery to a fully charged state.

## ROUTINE TEST CYCLES

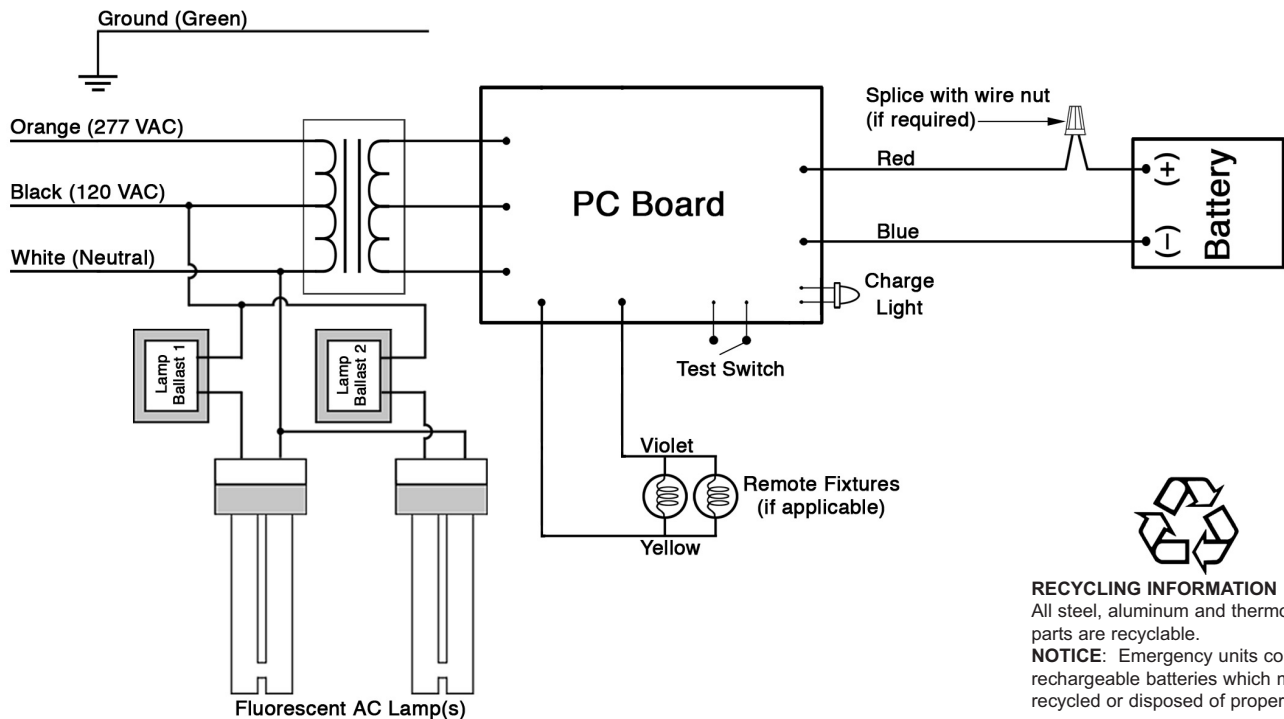
Paragraph 31-1.3.7 of NFPA 101-1985, Life Safety Code requires that all emergency lighting equipment be functionally tested every 30 days for a minimum of 30 seconds and tested once a year for a full 90 minute discharge cycle. Written records of monthly and annual testing are to be kept for examination by the authority having jurisdiction.

**Exception:** 30 day testing and written test records are not required on units equipped with the Highlites self-diagnostic (-SX) option.

## TROUBLESHOOTING

- The AC lamps do not operate in the emergency mode:
  - If the charge indicator light is off: Check that the AC supply circuit breaker is on.
  - If the charge indicator light is on:
    - Check the battery for proper connection.
    - If problem persists, Replace battery.

### WIRING DIAGRAM



#### RECYCLING INFORMATION

All steel, aluminum and thermoplastic parts are recyclable.

**NOTICE:** Emergency units contain rechargeable batteries which must be recycled or disposed of properly

### SPECIFICATIONS

Model	Volts	Watts	Weight	Battery Configuration
VR-1CF7	6	7	12	Single 6V Battery
HVR-2CF7	6	14	14	Single 6V Battery
HVR-1CF9	6	9	12	Single 6V Battery
HVR-2CF9	6	18	14	Single 6V Battery