



VR-PL Series Vandal Resistant Units

Meets New York City Requirements

Description

6 volt emergency lighting units for use in areas where tampering or vandalism may occur. Units feature high strength polycarbonate construction and fluorescent lamps.

Features

- Vandal resistant construction provides protection against impact and tampering
- Polycarbonate enclosure with tamper-proof hardware
- High output compact fluorescent lamps
- Available in single and twin lamp models
- Normally-on lamp operation
- Maintenance-free lead calcium battery standard
- 90 Minutes of emergency illumination
- Test switch and AC ready indicator
- Universal 120/277VAC input
- Fully automatic, temperature compensating, variable rate float charger
- Automatic low voltage battery disconnect protects battery from deep discharge
- Automatic brownout protection
- AC lockout feature reduces installation time
- Optional self-diagnostic circuit available
- Meets NFPA Life Safety Code 101, NEC, OSHA, State and local Codes
- UL924 listed



IMPORTANT:
Fluorescent models utilize mercury containing lamps. Do not discard fluorescent lamps in normal trash. Manage in accord with Disposal Laws. See: www.lamprecycle.org



VR model shown with optional surface conduit connection box (-CA)



Specifier Reference

Ordering Guide

Model No.	Volts	Watts For 1 1/2 Hrs.	Watts For 2 Hrs.	Watts For 4 Hrs.	Standard Lamp	Weight (Lbs.)
VR-1CF7-NY	6	7	--	--	7W PL (-79)	12
VR-2CF7-NY *	6	14	--	--	7W PL (-79)	14

* Twin lamp model - supplied with two compact fluorescent (PL) lamps.

Options

Add Suffix	Description
-CA	Steel Back Box For Surface Conduit Connection
-TD-120	15-Minute Re-transfer Time Delay (120V)
-TD-277	15-Minute Re-transfer Time Delay (277V)
-SX	Self-Diagnostic Circuit

Construction

Enclosure: Heavy gauge steel mounting plate is covered entirely by the unit's impact resistant, UV stable polycarbonate lens. Unit lens is secured using tamper-proof screws

Installation

Mounting: Units are designed for installation to wall or ceiling surfaces as well as standard 3 1/2" and 4" utility boxes.

Standard Wiring: Knockouts are provided in the enclosure backplate for connection to standard 3 1/2" and 4" utility boxes.

Surface Wiring: An optional steel back box (-CA) is available that provides knockouts on all four sides for the connection of surface conduit.

Illumination

High output compact fluorescent lamp(s) maximize illumination characteristics through a specially designed reflector and polycarbonate lens assembly that provides glare-free light distribution.

Lamp Type: Compact fluorescent - PL

Lamp Rating: 7 watts

Lamp Life: 100 hours (expected average)

Code Information

All models are UL924 Listed and meet NFPA 101 Life Safety Code, NEC, OSHA, Local and State Codes

Charger and Electronics

Charger Type: Fully automatic, temperature compensating, variable rate float charger

Utility Input: 120/277VAC, 60 Hz.

Power Consumption: VR1CF7 = 7 watts (AC mode)
VR2CF7 = 14 watts (AC mode)
VR1CF7 = 9 watts (AC mode)
VR1CF7 = 18 watts (AC mode)

Temperature Range: 68°F to 86°F (20°C to 30°C)

Recharge Duty Cycle: 24 hours

Load Transfer: All models utilize a solid state transfer circuit for load connection.

Controls: Test switch and LED AC-On indicator light

Safety Circuitry:

AC Lockout: Prevents battery discharge prior to initial unit power-up saving installation time.

Low Voltage Battery Disconnect: Protects the battery from being severely damaged by deep discharge during prolonged power failures.

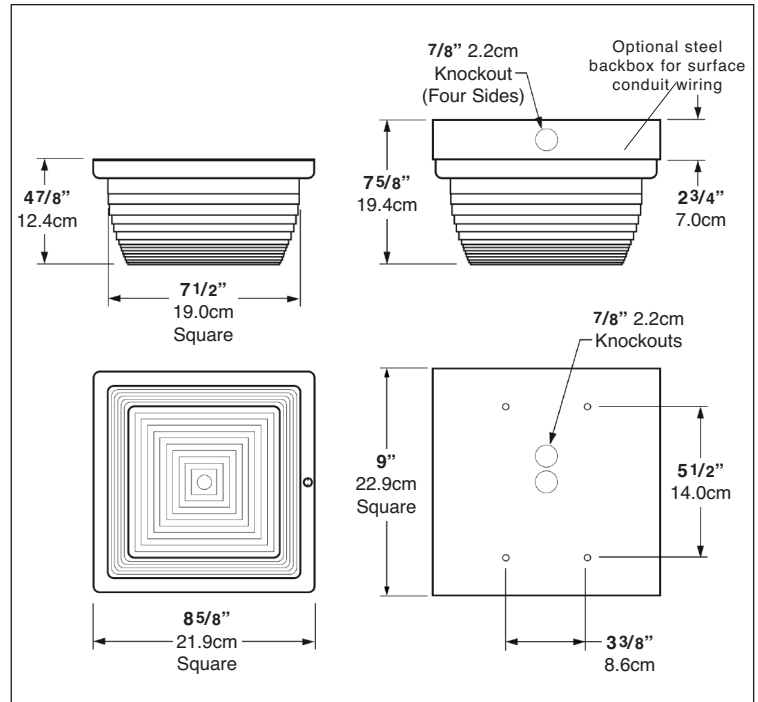
DC Overload and Short Circuit Protection: Provided by a disconnect circuit that automatically resets itself when the fault condition is corrected.

Brownout Protection: Automatically switches the unit to emergency mode when utility voltage is reduced to the point at which most fluorescent light fixtures would extinguish.

Emergency Operation

During normal operation, the unit's fluorescent lamp(s) are illuminated. Upon failure of the normal utility power, a solid-state transfer switch automatically connects the unit's battery to the emergency lamp. Emergency illumination will be supplied for a minimum of 90 minutes. During emergency operation, the unit battery is protected from severe discharge damage by an automatic low voltage disconnect circuit that discontinues unit operation when battery voltage reaches 87.5% of nominal. When normal utility power is restored, the battery is automatically disconnected from the load and a recharging cycle begins that will return the battery to full capacity within 24 hours.

Dimensions



Optional Self-Diagnostic Circuit

The optional SX self-diagnostics circuit automatically cycles the emergency lighting unit every 25-30 days. The SX circuit checks for battery charging and over charging, battery capacity and reports any system malfunction. By design the SX does not activate the lighting heads, thus avoiding substantial lamp life reduction.

Battery

Sealed lead calcium maintenance free battery designed to provide many years of dependable service.

Warranty

Unit: (excluding lamps) 3-years full coverage against defects in materials and workmanship from date of shipment

Battery: 3 years full warranty plus an additional 7 years of pro-rata coverage