



# ZBLED-NY Series

## Cast Aluminum LED Exit Signs

Meets New York City Requirements

### Description

Featuring stylish curved face design, rugged cast aluminum construction, very low power consumption and universal single/double face application.

### Features

#### All Models

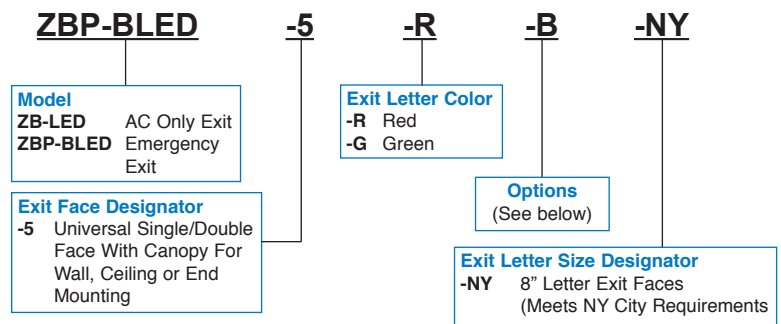
- Rugged cast aluminum construction
- Universal single or double stencil face design
- 8 inch exit letters meet New York City requirements
- Universal wall, ceiling or end mounting
- Universal directional chevrons provided by means of knockouts
- Contoured exit face
- Universal 120/277VAC field selectable input
- Brushed aluminum face with black housing standard
- Optional black or white finish
- High output, long life LED light source

#### Emergency Models

- 90 minutes of emergency operation
- Solid-state charging and switching circuits
- Premium grade sealed maintenance free nickel cadmium battery
- Low voltage disconnect protects battery against deep discharge damage
- AC Lockout feature reduces installation time
- Momentary test switch
- LED AC indicator light
- Optional self-diagnostic circuit available
- Meets NFPA Life Safety Code 101, NEC, OSHA, State and local codes
- UL Listed for use in damp locations
- UL924 Listed



### Ordering Guide



**NOTE:** All product specifications shown are subject to change without notice.

### Options <sup>(1)(2)</sup>

Add Suffix	Description
<b>-B</b>	Black Housing and Stencil Face
<b>-W</b>	White Housing and Stencil Face
<b>-SX</b>	Self-Diagnostic Circuit (emergency models only)

(1) Other options available. Consult factory.

(2) Some options may impact product UL listing. Consult factory.

### Specifier Reference

Project: \_\_\_\_\_

Fixture Type: \_\_\_\_\_

Model No.: \_\_\_\_\_

Comments: \_\_\_\_\_

\_\_\_\_\_

### Accessories

Order Model	Description
<b>PG-8</b>	Wire Guard - Wall Mount Models
<b>PG-11</b>	Wire Guard - Ceiling or End Mount Models
<b>VERS</b>	Vandal/Environmental Shield
<b>VERS-4X</b>	Vandal/Environmental Shield with Gasket

## Construction

**Housing:** ZBLED-NY Series exits are constructed of heavy die cast aluminum and supplied standard with a brushed stencil face and corrosion resistant black texture painted body. Mounting canopies supplied with all exits are constructed of heavy die cast aluminum and finished to match housing color.

Optional finishes include all black (-B) and all white (-W) housing and stencil face. See Ordering Guide on front for details.

## Exit Face

**Letter Size:** 6" letters with 3/4" stroke

**Directional Indicators:** Removable chevron arrows sized to meet UL visibility requirements.

**Universal Design:** All ZBLED exits are supplied in single face configurations and provide a second letter face for use in double face applications.

## Illumination

**Light Source:** Exit face illumination is provided by a special high intensity indirect red LED panel. Letter brightness and illumination uniformity exceed UL requirements.

## Installation

**Wall Mounting:** Single face models are supplied with knockouts in the exit housing's back plate for attachment to wall surfaces and standard 3 1/2" and 4" electrical boxes.

**Ceiling/End Mounting:** Mounting canopies are provided with all models for attachment to standard 3 1/2" and 4" electrical boxes in ceiling or end mount applications

## Power Consumption

	120VAC	277VAC
AC-Only Models	2.4 W	2.4 W
Emergency Models	3.3 W	3.7 W

## Code Information

All models are UL Listed for use in damp locations and meet NFPA 101 Life Safety Code, NEC, OSHA, Local and State Codes. Emergency models are UL924 Listed.

## Charger and Electronics

**Charger Type:** ZBP-BLED-NY emergency models utilize a fully automatic, temperature compensating, constant current type charger

**Utility Input:** 120/277VAC, 60 Hz.

**Temperature Range:** 68°F to 86°F (20°C to 30°C)

**Recharge Duty Cycle:** 24 hours

**Load Transfer:** Solid state transfer circuit

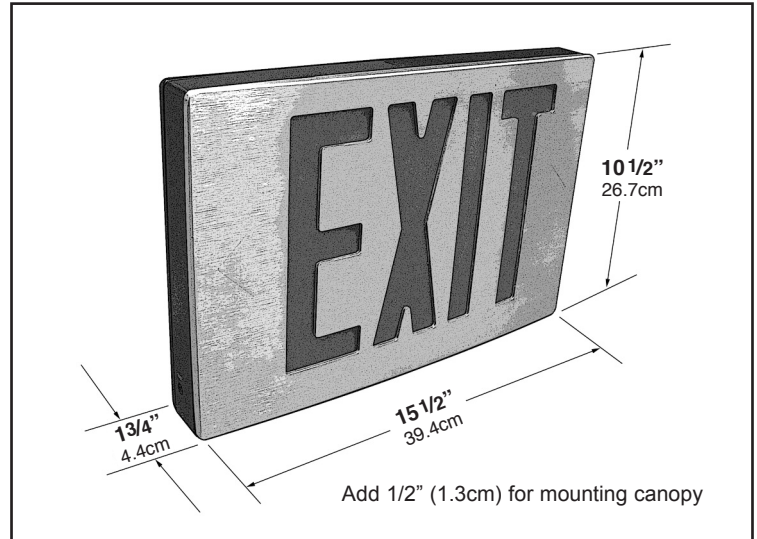
**Controls:** Momentary test switch and LED AC-On indicator light

**Safety Circuitry:**

**AC Lockout:** Prevents battery discharge prior to initial unit power-up saving installation time.

**Low Voltage Battery Disconnect:** Protects the battery from being severely damaged by deep discharge during prolonged power failures.

## Dimensions



## Emergency Operation

Upon failure of the normal utility power, a solid-state transfer switch automatically activates the LED lamps providing uninterrupted operation. Emergency illumination will be supplied for a minimum of 90 minutes. During emergency operation, the exit battery is protected from severe discharge damage by an automatic low voltage disconnect circuit that discontinues unit operation when battery voltage reaches 87.5% of nominal. When normal utility power is restored, the battery is automatically disconnected from the load and a recharging cycle begins that will return the battery to full capacity within 24 hours.

## Battery

**Type:** Sealed Nickel Cadmium maintenance free battery designed to provide many years of dependable service.

## Warranty

**Unit:** (excluding lamps) 3-years full coverage against defects in materials and workmanship from date of shipment

**Battery:** 3 years full warranty plus an additional 7 years of pro-rata coverage