

IMPORTANT SAFEGUARDS

When using electrical equipment, basic safety precautions should always be followed including the following:

READ AND FOLLOW ALL SAFETY INSTRUCTIONS:

NOT SELF TESTING PER ANSI/NFPA 101

- Do not use outdoors.
- Do not let power supply cords touch hot surfaces.
- Do not mount near gas or electric heaters.
- For connection to a single source of supply such that all LED lamps are simultaneously illuminated.
- Use caution when servicing batteries. Battery acid can cause burns to skin and eyes. If acid is spilled on skin or in eyes, flush acid with fresh water and contact a physician immediately.
- Equipment should be mounted securely in locations and at heights where it will not be readily subjected to tampering by unauthorized personnel.
- The use of accessory equipment not recommended by the MANUFACTURER may cause an unsafe condition.
- The AC voltage rating of this equipment is specified on the product label. Do not connect equipment to any other voltage.
- Do not use this equipment for other than its intended purpose.

CAUTION: When this equipment is furnished with halogen cycle lighting heads, these additional safeguards apply.

- To avoid shattering, do not operate lamp in excess of rated voltage. Protect lamp against abrasion and scratches and against liquids when lamp is operating. Dispose of lamps with care.
 - Halogen cycle lamps operate at a high temperature. Do not store or place flammable materials near lamps.
- Servicing of this equipment should be performed by qualified service personnel.

SAVE THESE INSTRUCTIONS

IMPORTANT:

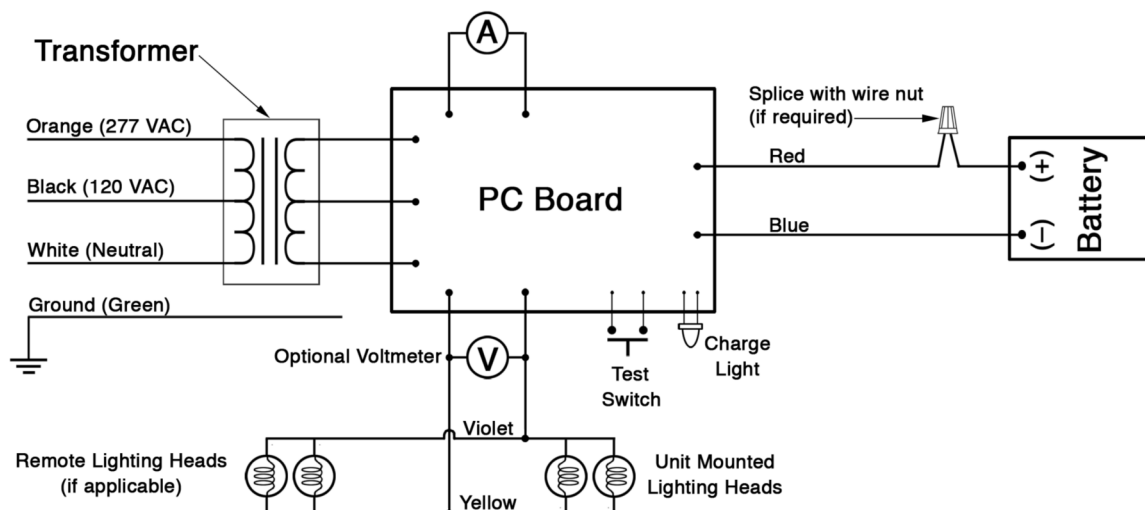
When relamping, only use lamps specified.

Using other lamp types may result in transformer damage or unsafe conditions.

Battery in this unit may not be fully charged.

After electricity is hooked up to unit, let the battery charge up for at least 24 hours.

Then normal operation of this unit should take effect.



Installation Instructions:

Back Mounting

1. Slide out front exit panel face plate & lens/filter by removing the screw on the bottom of the unit.
2. Remove internal metal reflector plate by removing the (2) screws.
3. Determine which mounting holes will be used to mount fixture to J-BOX, then punch out proper K/O's from the K/O pattern on the back panel of the housing.
4. There are two additional KEY HOLE SLOTS located at the top of the unit. These additional holes must be used when the unit is mounted to the wall.
5. Connect AC Supply wires to fixture input wires. BLACK is for 120 Volt. RED is for 277 Volt. WHITE is the COMMON.
6. Connect Battery. RED to POSITIVE, BLUE to NEGATIVE.
7. Replace internal metal reflector and secure with the (2) screws.
8. Reinsert the front exit panel and red lens/filter and secure with screw.

OPTION: The package includes and ADDITIONAL 3rd MIDDLE LIGHTING HEAD. If this additional head is desired or required, it may be mounted to the top of the fixture in the same way the other 2 heads are mounted. This step can be done before, during or after installation.

1. Punch out the SQUARE mounting hole on the top of the unit.
2. Mount the head securely with the included nut.
3. Attach the RED & BLUE FEMALE CONNECTORS to the PC BOARD in the same position as the other lighting heads are connected.

Third Lamp Head Mounting Detail

