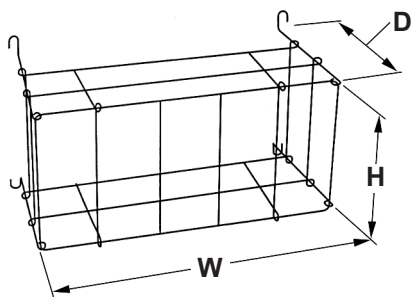
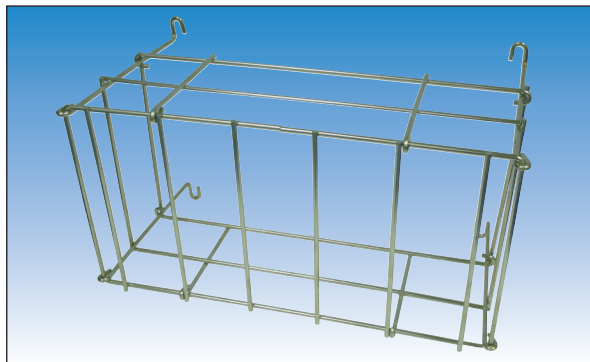


Wire Guards, Shelves and Brackets

Wire Guards



Application

Wire Guards are available for installation over most emergency lighting units, exit signs and remote fixtures or lighting heads to provide additional protection against accidental impact, tampering or vandalism.

Construction

Wire guards are constructed of formed and welded heavy-gauge steel wire with a zinc plated finish.

Installation

Wire guards install to flat surfaces by means of four formed mounting legs using appropriate installer supplied hardware.

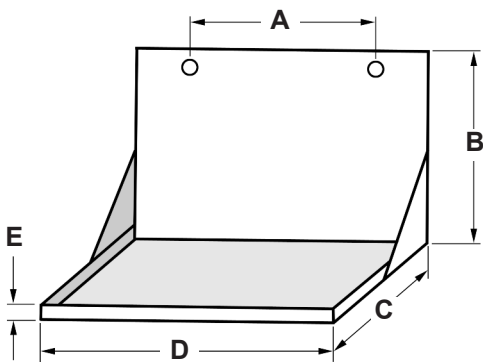
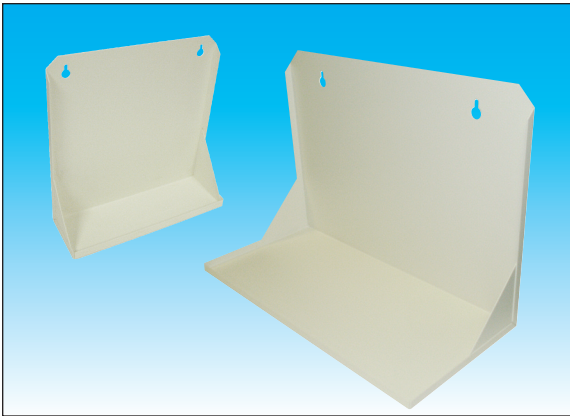
Specifier Reference

Project: _____
 Fixture Type: _____
 Model No.: _____
 Comments: _____

Model No.	Application	Dimensions			Weight
		H	W	D	
PG-1	Emergency Lighting Units XC-1 Series, NB Series, XC-R Series, RL Series except RL-13, 15, 12RL-18, 12RL-20, 24RL-19 and 24RL-25	15" 38.1cm	17 ³ / ₄ " 45cm	6 ¹ / ₄ " 15.9cm	2 lbs. (.91kg)
PG-2	Emergency Lighting Units RL Series models RL-13, 15, 12RL-18, 12RL-20, 24RL-19 and 24RL-25, NX Series, IS Series and HD Series	21" 53.3cm	23 ¹ / ₂ " 59.7cm	12" 30.5cm	5 lbs. (2.3kg)
PG-5	Emergency Lighting Units HL-90/100 Series, HL-95/105 Series, HL-High Capacity Series, SU/HSU and SU/HSU-FR Series Exit Signs NX-LED Series without lighting heads	16" 40.6cm	16" 40.6cm	9" 22.9cm	3 lbs. (1.4kg)
PG-6	Single Remote Lighting Heads	8" 20.3cm	8" 20.3cm	8" 20.3cm	1 lbs. (.45kg)
PG-7	Double Remote Lighting Heads	8" 20.3cm	16" 40.6cm	8" 20.3cm	2 lbs. (.91kg)
PG-8	Emergency Lighting Units HL-80 Series Exit Signs Wall mounted (without lighting heads) PLED-5 Series, High Glow Series, SLED Series, LED-APS Series, ALED Series, LED-APA Series, ZBLED Series and CLED Series	13" 33cm	13" 33cm	4" 10.1cm	3 lbs. (1.4kg)
PG-9	Exit Signs Wall mounted New York or Chicago Approved Exit Signs Without Side Mounted Lighting Heads	14" 35.6	17" 43.2cm	4" 10.1cm	3 lbs. (1.4kg)
PG-10	Exit Signs Wall mounted (with side mount lighting heads) SLED and ALED Series, LED-APS and LED-APA Series, and NX-LED Series	16" 40.6cm	26" 66cm	7" 17.8cm	5 lbs. (2.3kg)
PG-11	Exit Signs Ceiling or End Mount (without lighting heads) PLED-5 Series High Glow Series, SLED Series, LED-APS Series, ALED Series, LED-APA Series, ZBLED Series and CLED Series	14" 35.6	17" 43.2cm	4" 10.1cm	3 lbs. (1.4kg)
PG-12	Exit Signs PLED-5 Series model HBP-PLED-5-DEH	14" 35.6cm	26" 66cm	7" 17.8cm	5 lbs. (2.3kg)

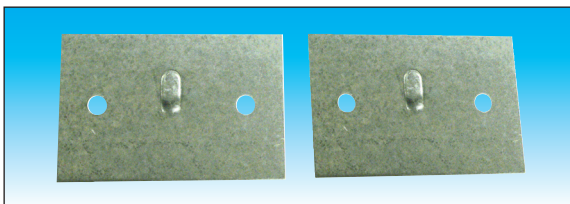
NOTE: All product specifications shown are subject to change without notice.

Mounting Shelves



Model Number	Application	Dimensions					Weight
		A	B	C	D	E	
S-1	RL-3, RL-5, RL-7, 12RL-12	5 ¹ / ₄ " 13.3cm	10 ¹ / ₄ " 26cm	4 ¹ / ₂ " 10.8cm	9 ¹ / ₄ " 23.5cm	1 ¹ / ₂ " 1.3cm	1 lb. (.45kg)
S-2	RL-9, RL-11, 12RL-14, 12RL-16, 24RL-15, 24RL-17, NB Series (all)	10 ¹ / ₄ " 26cm	10 ¹ / ₄ " 26cm	4 ¹ / ₂ " 10.8cm	12 ¹ / ₄ " 31.1cm	1 ¹ / ₂ " 1.3cm	2 lbs. (.91kg)
S-3	RL-13, RL-15, 12RL-18, 12RL-20, 24RL-19, 24RL-25	8 ¹ / ₄ " 21cm	10 ¹ / ₄ " 26cm	5 ¹ / ₂ " 14cm	12 ¹ / ₄ " 31.1cm	1 ¹ / ₂ " 1.3cm	2 lbs. (.91kg)
S-4	HD-2, HD-4, HD-6, 12HD-13, 24HD-20	10" 25.4cm	12 ¹ / ₄ " 31.1cm	8 ¹ / ₄ " 21cm	14" 35.6cm	1 ¹ / ₂ " 1.3cm	4 lbs. (1.8kg)
S-5	HD-8, 12HD-15, 12HD-17, 24HD-22	12" 30.5cm	13 ¹ / ₄ " 33.7cm	8 ¹ / ₄ " 21cm	18 ¹ / ₄ " 46.4cm	1 ¹ / ₂ " 1.3cm	4 lbs. (1.8kg)
S-6	12RL-22	12" 30.5cm	10 ¹ / ₄ " 26cm	5 ¹ / ₂ " 14cm	19" 48.3cm	1 ¹ / ₂ " 1.3cm	4 lbs. (1.8kg)

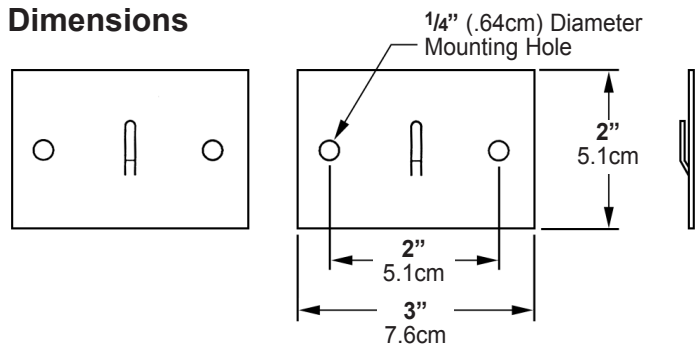
Mounting Brackets



Model Number	Application	Weight
B-1*	NB Series, RL Series, HD Series except HD-8, 12HD-15, 12HD-17 and 24HD-22 models	1/2 lb. (.23kg)

* Provides both brackets required to mount unit.

Dimensions



NOTE: All product specifications shown are subject to change without notice.

Specifier Reference

Project: _____

Fixture Type: _____

Model No.: _____

Comments: _____