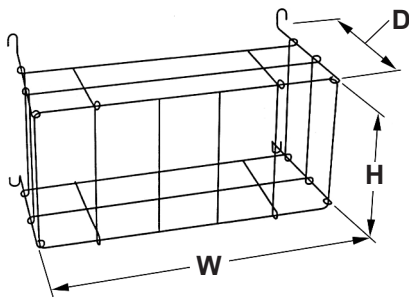
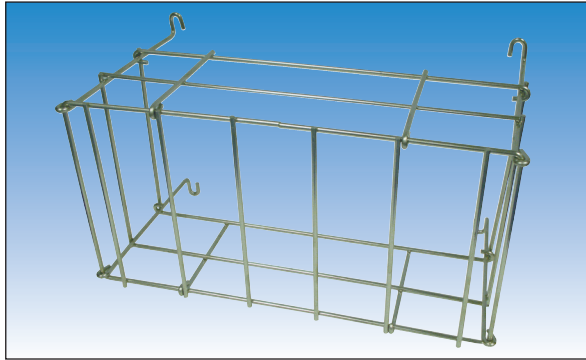


### Wire Guards



#### Application

Wire Guards are available for installation over most emergency lighting units, exit signs and remote fixtures or lighting heads to provide additional protection against accidental impact, tampering or vandalism.

#### Construction

Wire guards are constructed of formed and welded heavy-gauge steel wire with a zinc plated finish.

#### Installation

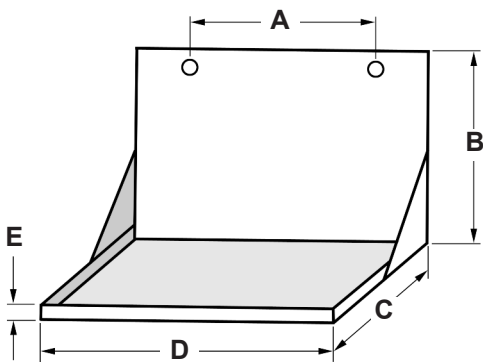
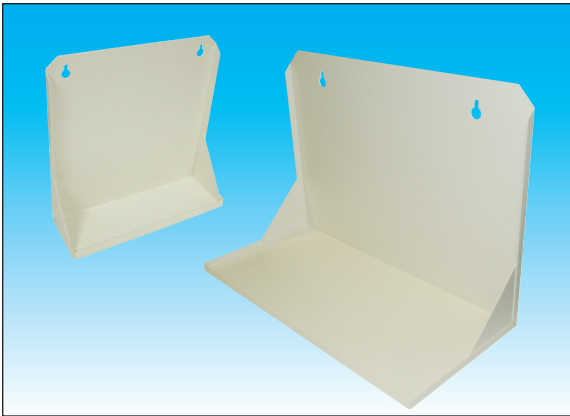
Wire guards install to flat surfaces by means of four formed mounting legs using appropriate installer supplied hardware.

#### Specifier Reference

Model No.	Application	Dimensions			Weight
		H	W	D	
PG-1	<b>Emergency Lighting Units</b> XC-1 Series, NB Series, XC-R Series, RL Series except RL-13, 15, 12RL-18, 12RL-20, 24RL-19 and 24RL-25	15" 38.1cm	17 <sup>3</sup> / <sub>4</sub> " 45cm	6 <sup>1</sup> / <sub>4</sub> " 15.9cm	2 lbs. (.91kg)
PG-2	<b>Emergency Lighting Units</b> RL Series models RL-13, 15, 12RL-18, 12RL-20, 24RL-19 and 24RL-25, NX Series, IS Series and HD Series	21" 53.3cm	23 <sup>1</sup> / <sub>2</sub> " 59.7cm	12" 30.5cm	5 lbs. (2.3kg)
PG-5	<b>Emergency Lighting Units</b> HL-90/100 Series, HL-95/105 Series, HL-High Capacity Series, SU/HSU and SU/HSU-FR Series <b>Exit Signs</b> NX-LED Series without lighting heads	16" 40.6cm	16" 40.6cm	9" 22.9cm	3 lbs. (1.4kg)
PG-6	Single Remote Lighting Heads	8" 20.3cm	8" 20.3cm	8" 20.3cm	1 lbs. (.45kg)
PG-7	Double Remote Lighting Heads	8" 20.3cm	16" 40.6cm	8" 20.3cm	2 lbs. (.91kg)
PG-8	<b>Emergency Lighting Units</b> HL-80 Series <b>Exit Signs</b> Wall mounted (without lighting heads) PLED-5 Series, High Glow Series, SLED Series, LED-APS Series, ALED Series, LED-APA Series, ZBLED Series and CLED Series	13" 33cm	13" 33cm	4" 10.1cm	3 lbs. (1.4kg)
PG-9	<b>Exit Signs</b> Wall mounted New York or Chicago Approved Exit Signs Without Side Mounted Lighting Heads	14" 35.6	17" 43.2cm	4" 10.1cm	3 lbs. (1.4kg)
PG-10	<b>Exit Signs</b> Wall mounted (with side mount lighting heads) SLED and ALED Series, LED-APS and LED-APA Series, and NX-LED Series	16" 40.6cm	26" 66cm	7" 17.8cm	5 lbs. (2.3kg)
PG-11	<b>Exit Signs</b> Ceiling or End Mount (without lighting heads) PLED-5 Series High Glow Series, SLED Series, LED-APS Series, ALED Series, LED-APA Series, ZBLED Series and CLED Series	14" 35.6	17" 43.2cm	4" 10.1cm	3 lbs. (1.4kg)
PG-12	<b>Exit Signs</b> PLED-5 Series model HBP-PLED-5-DEH	14" 35.6cm	26" 66cm	7" 17.8cm	5 lbs. (2.3kg)

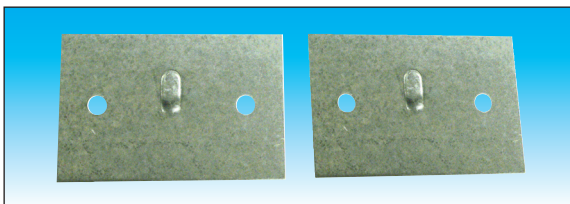
NOTE: All product specifications shown are subject to change without notice.

## Mounting Shelves



Model Number	Application	Dimensions					Weight
		A	B	C	D	E	
<b>S-1</b>	RL-3, RL-5, RL-7, 12RL-12	5 <sup>1</sup> / <sub>4</sub> " 13.3cm	10 <sup>1</sup> / <sub>4</sub> " 26cm	4 <sup>1</sup> / <sub>2</sub> " 10.8cm	9 <sup>1</sup> / <sub>4</sub> " 23.5cm	1 <sup>1</sup> / <sub>2</sub> " 1.3cm	1 lb. (.45kg)
<b>S-2</b>	RL-9, RL-11, 12RL-14, 12RL-16, 24RL-15, 24RL-17, NB Series (all)	10 <sup>1</sup> / <sub>4</sub> " 26cm	10 <sup>1</sup> / <sub>4</sub> " 26cm	4 <sup>1</sup> / <sub>2</sub> " 10.8cm	12 <sup>1</sup> / <sub>4</sub> " 31.1cm	1 <sup>1</sup> / <sub>2</sub> " 1.3cm	2 lbs. (.91kg)
<b>S-3</b>	RL-13, RL-15, 12RL-18, 12RL-20, 24RL-19, 24RL-25	8 <sup>1</sup> / <sub>4</sub> " 21cm	10 <sup>1</sup> / <sub>4</sub> " 26cm	5 <sup>1</sup> / <sub>2</sub> " 14cm	12 <sup>1</sup> / <sub>4</sub> " 31.1cm	1 <sup>1</sup> / <sub>2</sub> " 1.3cm	2 lbs. (.91kg)
<b>S-4</b>	HD-2, HD-4, HD-6, 12HD-13, 24HD-20	10" 25.4cm	12 <sup>1</sup> / <sub>4</sub> " 31.1cm	8 <sup>1</sup> / <sub>4</sub> " 21cm	14" 35.6cm	1 <sup>1</sup> / <sub>2</sub> " 1.3cm	4 lbs. (1.8kg)
<b>S-5</b>	HD-8, 12HD-15, 12HD-17, 24HD-22	12" 30.5cm	13 <sup>1</sup> / <sub>4</sub> " 33.7cm	8 <sup>1</sup> / <sub>4</sub> " 21cm	18 <sup>1</sup> / <sub>4</sub> " 46.4cm	1 <sup>1</sup> / <sub>2</sub> " 1.3cm	4 lbs. (1.8kg)
<b>S-6</b>	12RL-22	12" 30.5cm	10 <sup>1</sup> / <sub>4</sub> " 26cm	5 <sup>1</sup> / <sub>2</sub> " 14cm	19" 48.3cm	1 <sup>1</sup> / <sub>2</sub> " 1.3cm	4 lbs. (1.8kg)

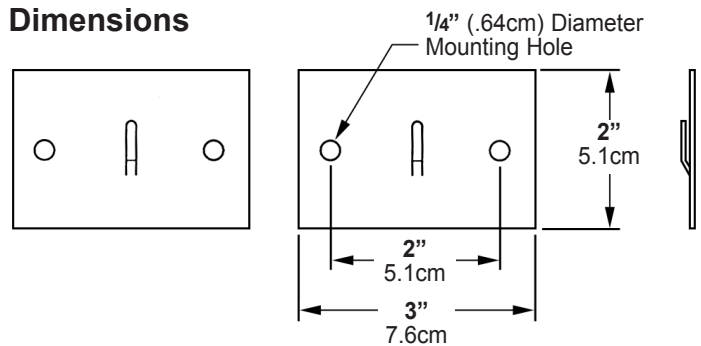
## Mounting Brackets



Model Number	Application	Weight
<b>B-1*</b>	NB Series, RL Series, HD Series except HD-8, 12HD-15, 12HD-17 and 24HD-22 models	1/2 lb. (.23kg)

\* Provides both brackets required to mount unit.

### Dimensions



**NOTE:** All product specifications shown are subject to change without notice.

### Specifier Reference

Project: \_\_\_\_\_

Fixture Type: \_\_\_\_\_

Model No.: \_\_\_\_\_

Comments: \_\_\_\_\_